

The Dacor logo is written in a bold, italicized, sans-serif font. The letters are black with a white outline, giving it a three-dimensional appearance. A registered trademark symbol (®) is located at the end of the word.

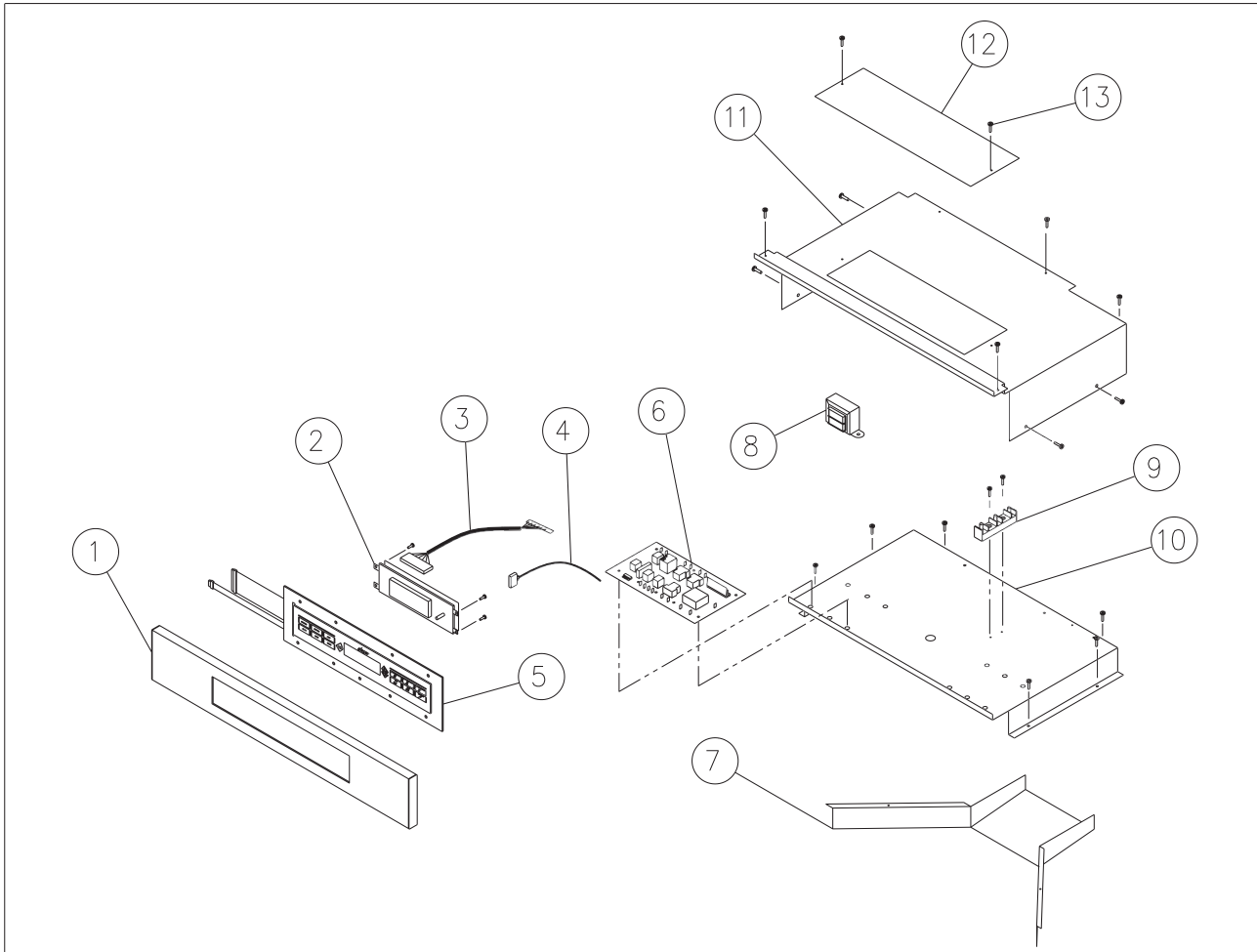
Family-Owned. American-Made.

The words "PARTS" and "CATALOG" are stacked vertically in a large, bold, sans-serif font. The text is white with a grey drop shadow, making it stand out against the background image of a kitchen.

ECS/ECD Wall Ovens

Bezel, Single Oven	Bezel, Double Oven	Door
Single Oven	Double Oven	Non-Convection Cell
Non-Convection Inside Cell	Convection Cell	Inside Cell

ECS - Single Oven Bezel Assembly



Ref #	Description	ECS127	ECS130
1	Stainless Bezel	13388S	13401S
*	Black (B) or Arctic (R) Bezel	13388B, R	13401B, R
2	Oven Control	701006*	701006*
3	Harness, ERC to Relay	82445	82445
4	Sensor Harness	82447	82447
5	Membrane Black (B) or Arctic (R)	62682B, R	62682B, R
6	Relay Board	92028	92028
7	Transition Duct	27455	27455
8	Transformer	62808	62808
9	Terminal Block	82151	82151
10	Sub Chassis	27452	27463
11	Front, Top Cover	36311	36312
12	Service Panel	36318	36318
13	Screw	83023	83023

*Order as Kit, 701006-
(Click Note for Details)

dacor

Technical Service 1440 Bridge Gate Drive Diamond Bar CA 91765 PH: 800-353-2267 Fax: 909-612-1702



The life of the kitchen™

Date: 3-17-05

Re: Relay Board

Products Covered:

ECS127, 130, 136 – MCS127, 130 – PCS130 – ERD30S06 – ERD60S06, ERD36, ERDE36, MRES30S, RSD30

Revision Level Change:

Model#	Old Rev	New Rev
ECS127B/R/SBK/ SBR/SCH/SCP, MCS127B/R/S	H	J
ECS127B/R/SBK/SCH/SBR/SCP/208V, MCS127B/R/S/208V, ERD60S06	F	G
ECS130B/R/SBK/SBR/SCH/SCP, MCS130B/R/S, PCS130BRS	J	K
ECS130B/R/SBK/SBR/SCH/SCP/208V, MCS130B/R/S/208V, PCS130B/R/S/208V	G	H
ECS136SBK/SBR/SCH/SCP	E	F
ERD30S06	U	V
ERDE36, MRES30S	B	C
ERD36	N	P
RSD30	L	M

Condition:

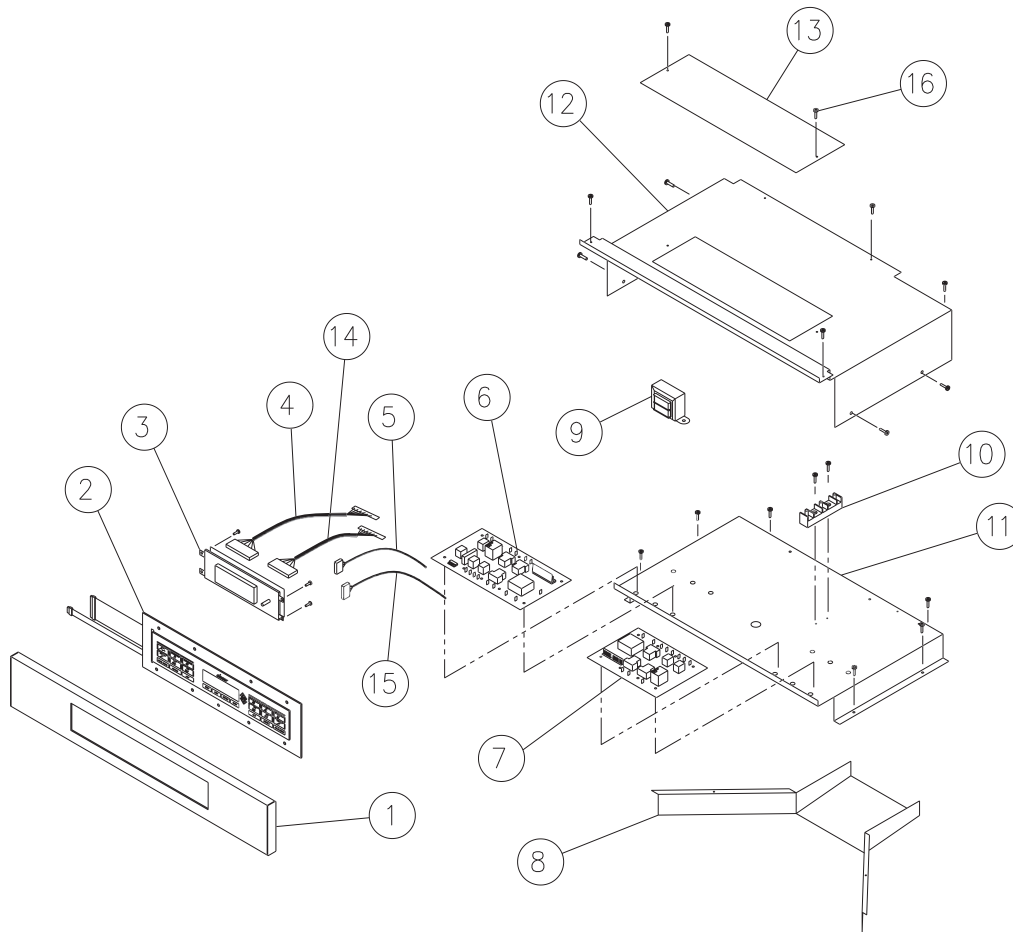
This replacement was implemented to improve reliability and to reduce warranty cost due to service issues relative to flickering lights. Relay boards **ARE** backwards compatible and can be used as service replacements.

Correction:

Description	Old Part #	New Part #
Relay Board	82127	92028

This change IS backward compatible, new parts can be used on any unit.

ECS/D Epicure Double Bezel



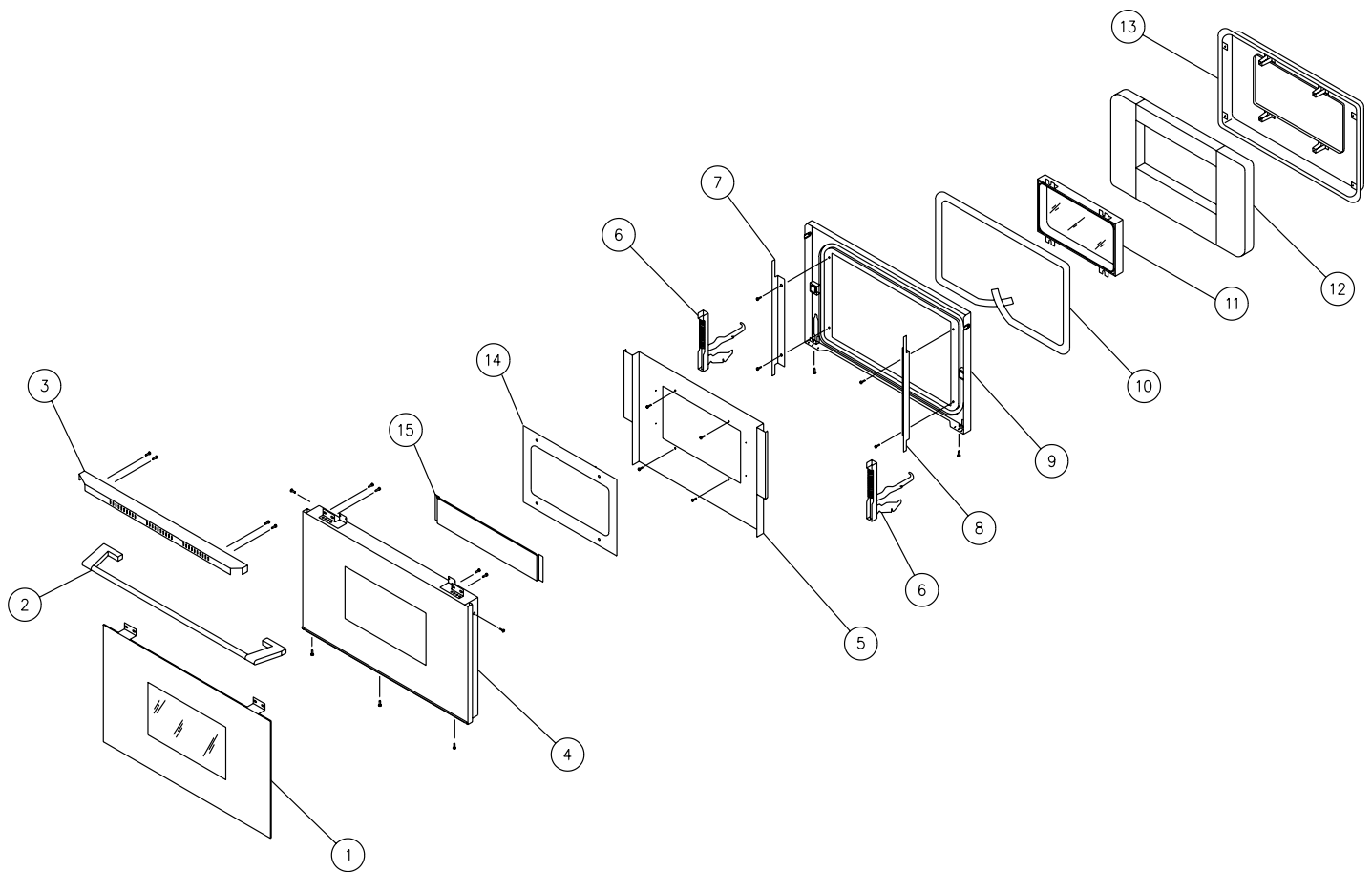
Ref #	Description	ECS227	ECD227	ECS230	ECD230
1	Bezel Assembly Stainless (S), Black (B) or Arctic (R)	13389B, R, or S	13400B, R, or S.	13402B, R or S.	13403B, R or S.
*	Bezel Skin Black (B) or Arctic (R)	26444 B or R	26444B or R	26269B or R	26269B or R
2	Membrane	62683B or R	62684B or R	62683B or R	62684B or R
3	ERC	701007*	701007*	701007*	701007*
4	Harness, ERC to Relay	82445	82445	82445	82445
5	Harness, Sensor Upper	82448	82448	82448	82448
6	Relay Board - Upper	62439	62439	62439	62439
7	Relay Board - Lower	82985	82994	82985	82994
8	Transition Duct	27455	27455	27455	27455
9	Transformer	62808	62808	62808	62808
10	Terminal Block	82151	82151	82151	82151
11	Sub Chassis	27589	27589	27590	27590
12	Top Cover	36311	36311	36312	36312
13	Service Panel	36318	36318	36318	36318
14	Harness, ERC to Relay	82446	82446	82446	82446
15	Harness, Sensor - Lower	82449	82449	82449	82449
16	Screw	83331	83331	83331	83331

dacor

* Order as Kit, 701007-
(Click Note for Details)

Technical Service 1440 Bridge Gate Drive Diamond Bar CA 91765 PH: 800-353-2267 Fax: 909-612-1702

ECS/ECD Door Assembly



ECS/ECD Door Parts

	Desc	ECS127	ECS227	ECD227	ECS130	ECS230	ECD230
1	Door Skin Asy S	66091	66091	66091	66092	66092	66092
*	Door Skin Assy B/R	82693B/R	82693B/R	82693B/R	82216B/R	82216B/R	82216B/R
2	Door Handle Assy S	13406SCH, SBR, SBK, SCP	13406SCH, SBR, SBK, SCP	13406SCH, SBR, SBK, SCP	13407SCH, SBR, SBK, SCP	13407SCH, SBR, SBK, SCP	13407SCH, SBR, SBK, SCP
*	Door Handle Assy B/R	13406B/R	13406B/R	13406B/R	13407B/R	13407B/R	13407B/R
3	Door Intake Vent S	36337	36337	36337	36338	36338	36338
*	Door Intake Vent B/R	36386B/R	36386B/R	36386B/R	36385B/R	36385B/R	36385B/R
4	Door Glass Mtg Fr	27612B/R	27612B/R	27612B/R	26713B/R	26713B/R	26713B/R
*	Door Glass Mtg Fr	27633B/R	27633B/R	27633B/R	27634B/R	27634B/R	27634B/R
5	Heat Shield Door	26575B	26575B	26575B	26574B	26574B	26574B
6	Door Hinge S	82508	82508	82508	82508	82508	82508
*	Door Hinge B/R	82883	82883	82883	82883	82883	82883
7	Door Side Shield (R)	26577	26577	26577	26577	26577	26577
8	Door Side Shield (L)	26576	26576	26576	26576	26576	26576
9	Door Outer Liner	86744	86744	86744	86746	86746	86746
10	Door Gasket	82691	82691	82691	82124	82124	82124
11	Window Pack	12470	12470	12470	12470	12470	12470
11*	Window Pack	72148	72148	72148	72148	72148	72148
**Use 72148 for all 27" wall ovens after serial revision VD1322615							
**Use 72148 for all 30" wall ovens after serial revision VD1322636							
12	Insulation	13165	13165	13165	80172	80172	80172
13	Inner Door Liner	27423BP	27423BP	27423BP	27459BP	27459BP	27459BP
13*	Inner Door Liner	27727BP	27727BP	27727BP	27728BP	27728BP	27728BP
**Use 27727BP for all 27" wall ovens after serial revision VD1322615							
**Use 27728BP for all 30" wall ovens after serial revision VD1322636							
14	Window Mask	36377BP	36377BP	36377BP	36377BP	36377BP	36377BP
15	Inner Heat Shield	36353B/R	36353B/R	36353B/R	36345B/R	36345B/R	36345B/R



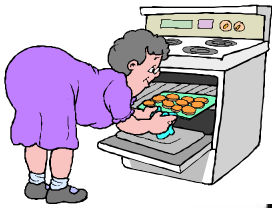


The life of the kitchen™

Date: 6-1-02

Re: Epicure Wall Oven Changes
Single Wall Ovens Before VC1322615 After VC1322615
Double Wall Oven Before VD1322636 After VD1322636

Description	Old Part #	New Part #
Door Hinge 27" SS	82508	82508
Door Hinge 27" B/R	82883	82883
Door Hinge 30" SS	82508	82508
Door Hinge 30" B/R	82883	82883
Door Hinge 18"	82883	82883
Door Hinge 36"	62436	62436
Door Gasket 27"	72026	72016
Door Gasket 30"	72027	72020
Window Pack W/J-Channel	12470	N/A
Window Pack	N/A	72148
Side Shield Left	26576	36617
Side Shield Right	26577	36618
Heat Shield, 27" Door	26575	36619B
Heat Shield, 30" Door	26574	36620B
Heat Shield, 30" SS Door	36354	36622B
Insulation, 27" Outer Liner	80173	80212
Insulation, 30" Outer Liner	80172	80213
Inner Liner Assy, 27" Door	27423BP	27727BP
Inner Liner Assy, 30" Door	27459BP	27728BP
Bracket, Inner Liner	78920	38230
Outer Liner, Inner Door 30"	86746	27460BP
Door Bumpers	N/A	83618
Inner Door Assy 27" B/R	66620B/R	66620B/R
Inner Door Assy 27" SS	66621S	66621S
Inner Door Assy 30" B/R	66622B/R	66622B/R
Inner Door Assy 30" SS	66623S	66623S
Outer Door Assy 27" SS	66272	66272
Outer Door Assy 30" SS	66273	66273



Field Service Bulletin



950 South Raymond Avenue
Pasadena, CA 91105

Page of

Issued By: Technical Service	Date Issued: 9-2000	Distribution: Service/Parts	Supercedes:
Subject: Door Skin Assemblies	Product Type: Ovens	Model No: EC, MC, PC	Bulletin No: 00-16

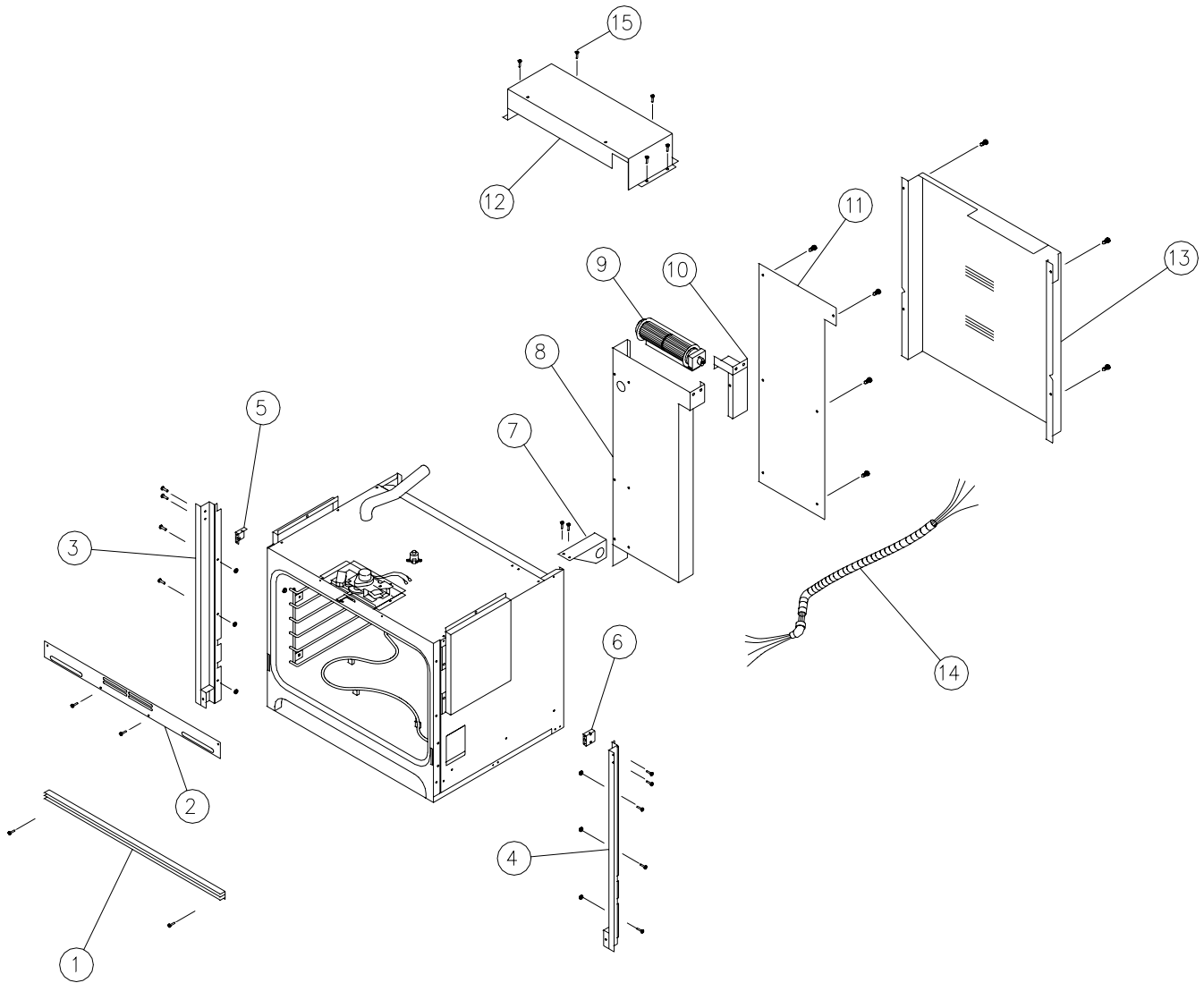
Stainless Door Skin Assemblies

Service Assemblies have been created to ease the replacement of the front panel assembly on the stainless oven door. When replacing the front panel on the door order this assembly which comes with the door skin assembly, the mounting frame and the tape already pre-assembled into one piece for your convenience.

EC27	Outer Door Assembly	66272
EC30	Outer Door Assembly	66273
MC27	Outer Door Assembly	66274
MC30	Outer Door Assembly	66275
PC27	Outer Door Assembly	66276
PC30	Outer Door Assembly	66277

Logo

ECS - SINGLE OVEN ASSEMBLY



REF #	DESCRIPTION	ECS127	ECS130
1	EXHAUST GRILL	82990B,R,S	82229B, R, S
2	CELL INTAKE VENT	26609B	26638B
3	TRIM POST (L)	27665B,R	27665B,R
4	TRIM POST (R)	27664B,R	27664B,R
5	BEZEL MOUNTING BRACKET (L)	86676	86676
6	BEZEL MOUNTING BRACKET (R)	86675	86675
7	CONDUIT BRACKET	26584	26584
8	EXHAUST DUCT	27427	26656
9	COOLING FAN	82986	82986
10	EXHAUST DIVIDER	36283	36283
11	EXHAUST DUCT COVER	26580	26658
12	TOP COVER REAR	26600	26635
13	BACK COVER	27471	27476
14	CONDUIT	26420	26420
15	SCREW	83011	83011
Not Shown**	Fiber Washer	83555	83555
Not Shown**	EXH Grill Screws	83571 Silver	83263 Black

DACOR Technical Service

P.O. Box 6530 Diamond Bar, CA 91765 800-793-0093 - Fax: 909-612-1702



Date: 7-2-04

Re: Air Intake Grill Changes

Products Covered:

ECS-D/MCS-D/PCS-D Wallovens

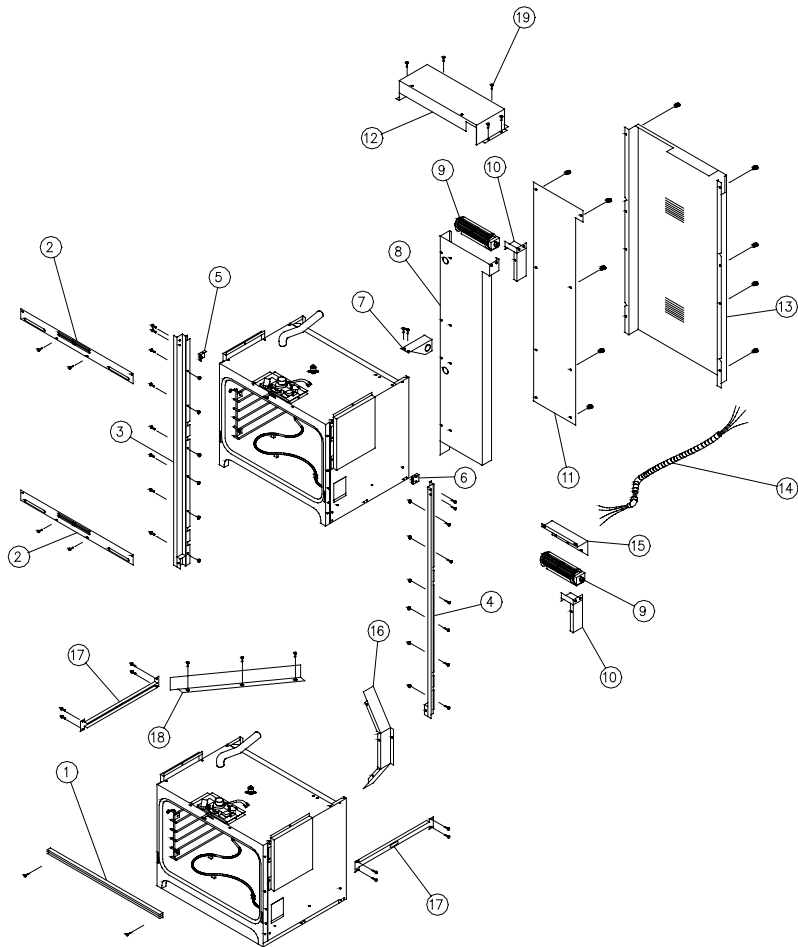
Revision Level Change:

Revision Level was changed from E to F

Part # Changes

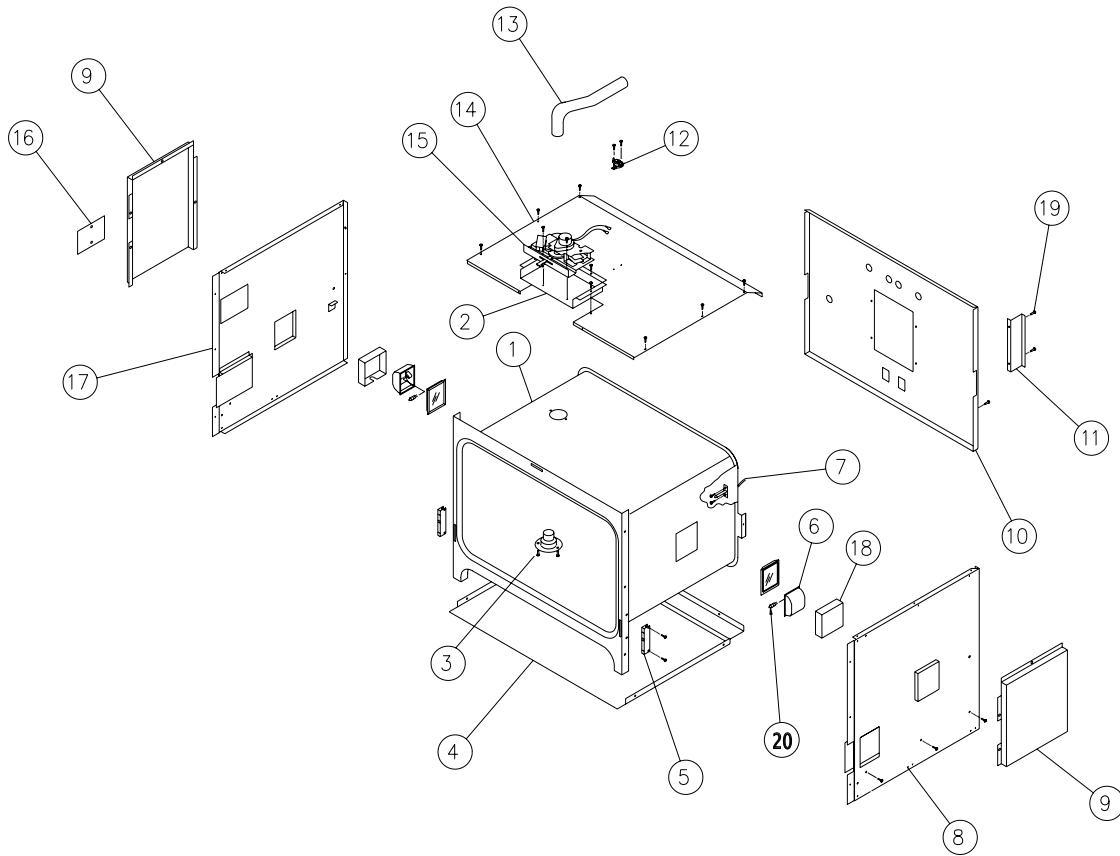
Old Part #	New Part #
26609B	36830B
26638B	36829B
26288B	36829B

ECS/D - DOUBLE OVEN ASSEMBLY



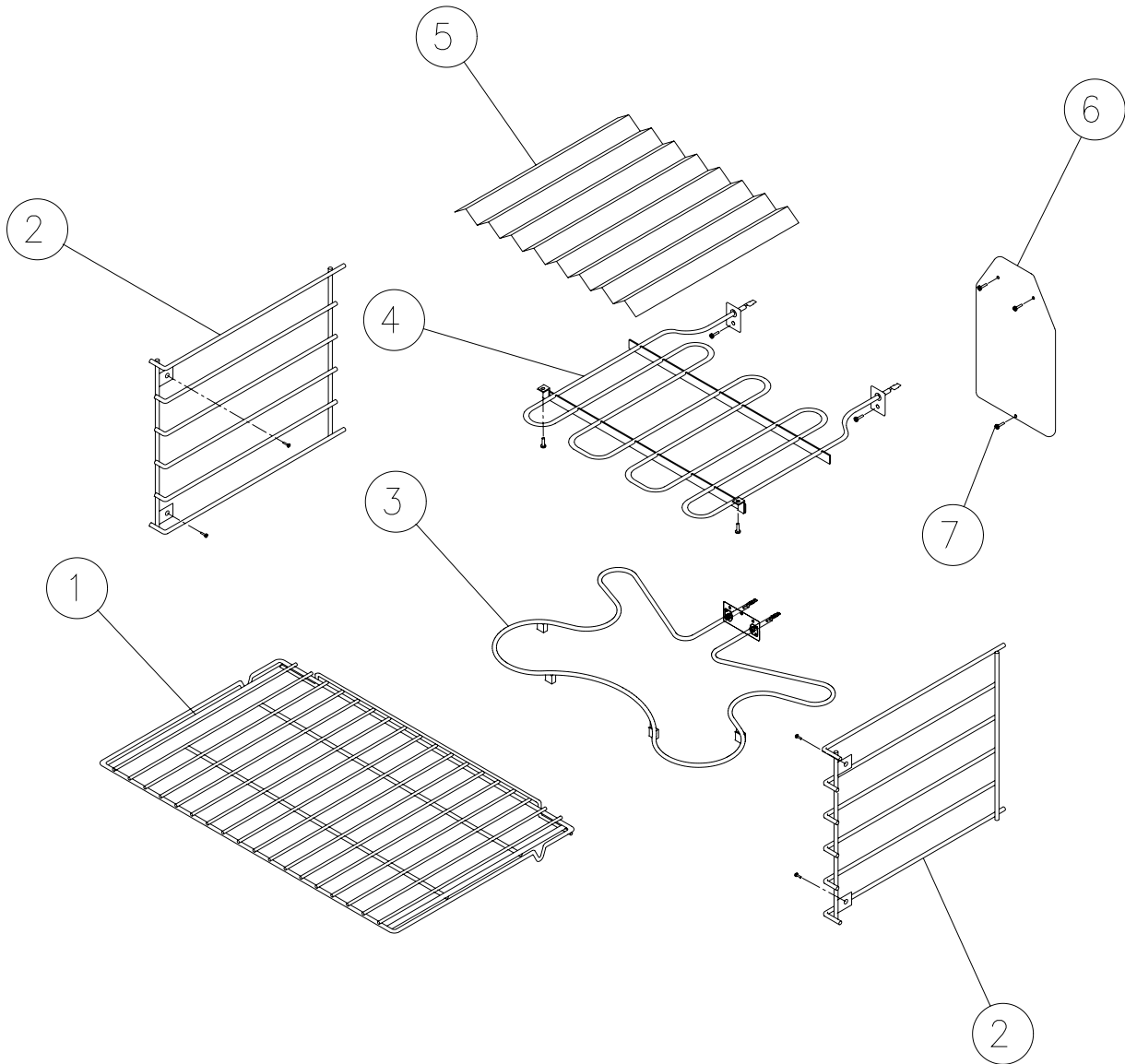
REF #	DESCRIPTION	ECS227	ECD227	ECS230	ECD230
1	EXHAUST GRILL	82990BRS	82990BRS	82229BRS	82229BRS
2	INTAKE VENT	26609B	26609B	26638B	26638B
3	TRIM POST (L)	27667BR	27667BR	27667BR	27667BR
4	TRIM POST (R)	27666BR	27666BR	27666BR	27666BR
5	BEZEL MTG BRACKET (L)	86676	86676	86676	86676
6	BEZEL MTG BRACKET (R)	86675	86675	86675	86675
7	CONDUIT BRKT	26584	26584	26584	26584
8	EXHAUST DUCT	27456	27456	26657	26657
9	COOLING FAN	82986	82986	82986	82986
10	EXH DIVIDER	27475	27475	27475	27475
11	EXH DUCT COVER	26612	26612	26659	26659
12	TOP COVER REAR	26600	26600	26635	26635
13	BACK COVER	27472	27472	27477	27477
14	CONDUIT	26430	26430	26430	26430
15	MTG BRACKET	27475	27475	27475	27475
16	LOWER BAFFLE	26608	26608	26608	26608
17	OVEN SUPPORT BRACKET	36319	36319	36319	36319
18	LOWER AIR BAFFLE	26599	26599	26599	26599
19	SCREW	83011	83011	83011	83011

Epicure Non Convection Cell



REF #	DESCRIPTION	ECS227	ECS230
1	CELL	27593BP	27594BP
2	LATCH PLATE	26598	26598
3	SMOKE ELIMINATOR	82826	82826
4	CASE BOTTOM	26597	26633
5	ROLLER HINGE	82851	82851
6	HALOGEN LIGHTS*	62175	62175
7	SENSOR	62593	62593
8	CASE SIDE (R)	27600	27600
9	SIDE HEAT SHIELD	36309	36309
10	CASE BACK	36281	36282
11	STIFFENER BRACKET	26606	26606
12	THERMAL SWITCH	62775	62775
13	EXHAUST TUBE	82695	82240
14	CASE TOP	26581	26629
15	DOOR LATCH	86166	86166
16	PROBE COVER	36279	36279
17	CASE SIDE (L)	27599	27599
18	HEAT SHIELD	36105	36105
19	SCREW	83011	83011
20	BLUB ONLY	86573	86573

ECS - NON-CONVECTION INSIDE CELL ASSY



REF # DESCRIPTION

1	NON-CONVECTION RACK
2	RACK SUPPORT
3	BAKE ELEMENT
4	BROIL ELEMENT
5	BROIL REFLECTOR
6	NON-CONVECTION COVER PLATE
7	SCREW
**	Glide Rack

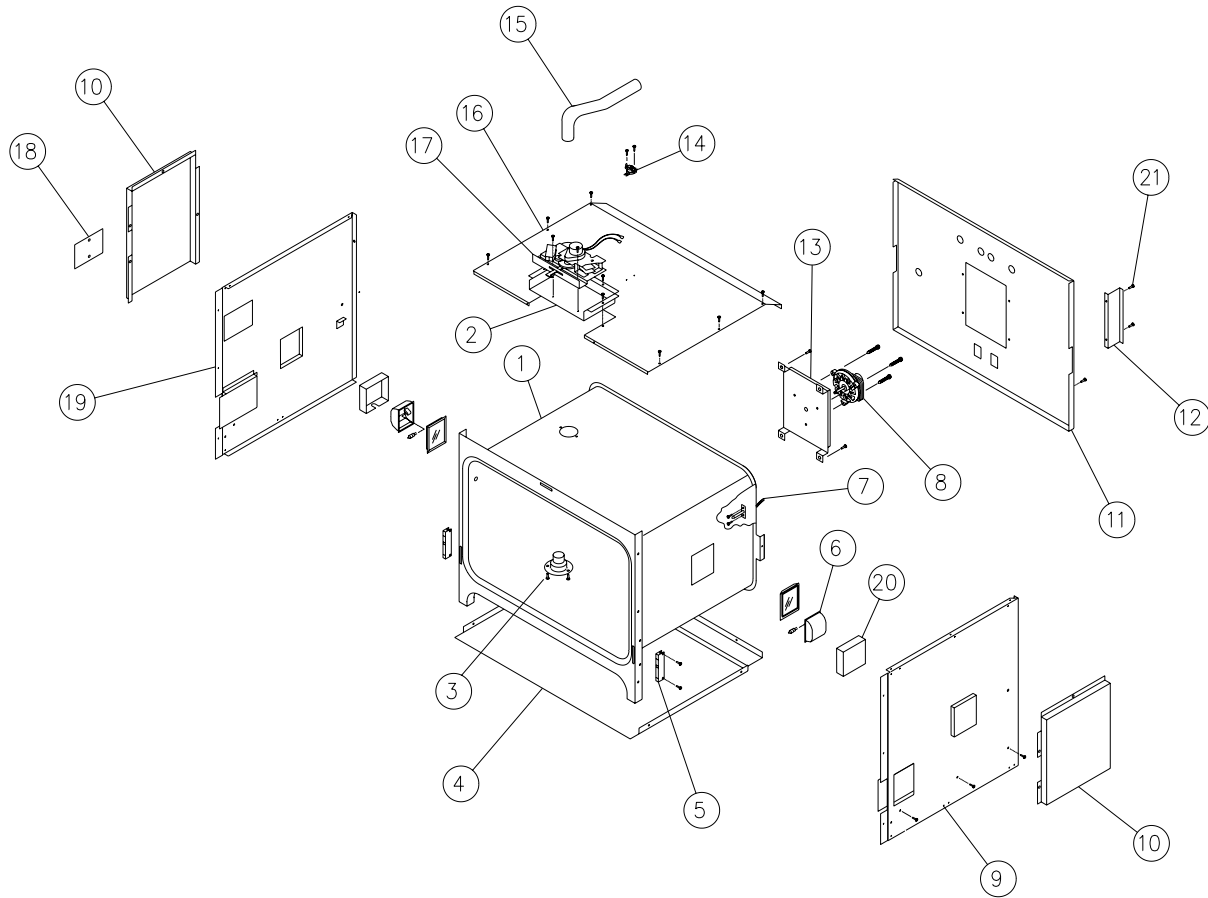
ECS227

62138
82650
62636
62723
36509
26545BP
83534
72767

ECS230

62140
82650
62637
62723
36509
26545BP
83534
72915

ECS/D - CELL ASSEMBLY



REF #	DESCRIPTION	ECS127	ECS227	ECD227	ECS130	ECS230	ECD230
1	CELL	27591BP	27591BP	27591BP	27592BP	27592BP	27592BP
2	LATCHPLATE	26598	26598	26598	26598	26598	26598
3	SMOKE ELIMINATOR	82826	82826	82826	82826	82826	82826
4	CASE BOTTOM	26597	26597	26597	26633	26633	26633
5	ROLLER HINGE	82851	82851	82851	82851	82851	82851
6	HALOGEN LIGHTS	62175	62175	62175	62175	62175	62175* Bulb only 86573
7	SENSOR	62593	62593	62593	62593	62593	62593
8	CONVECTION MOTOR	82647	82647	82647	82647	82647	82647
9	CASE SIDE (R)	27600	27600	27600	27600	27600	27600
10	SIDE HEAT SHIELD	36309	36309	36309	36309	36309	36309
11	CASE BACK	36281	36281	36281	36282	36282	36282
12	STIFFENER BRKT	26606	26606	26606	26606	26606	26606
13	MTR MTG PLATE	36280	36280	36280	36280	36280	36280
14	THERMAL SWITCH	62775	62775	62775	62775	62775	62775
15	EXHAUST TUBE	82695	82695	82695	82695	82695	82695
16	CASE TOP	26581	26581	26581	26581	26581	26581
17	DOOR LATCH	86166	86166	86166	86166	86166	86166
18	MEAT PROBE COVER	36279	36279	36279	36279	36279	36279
19	CASE SIDE (LEFT)	27599	27599	27599	27599	27599	27599
20	HEAT SHIELD	36105	36105	36105	36105	36105	36105
21	SCREW	83011	83011	83011	83011	83011	83011

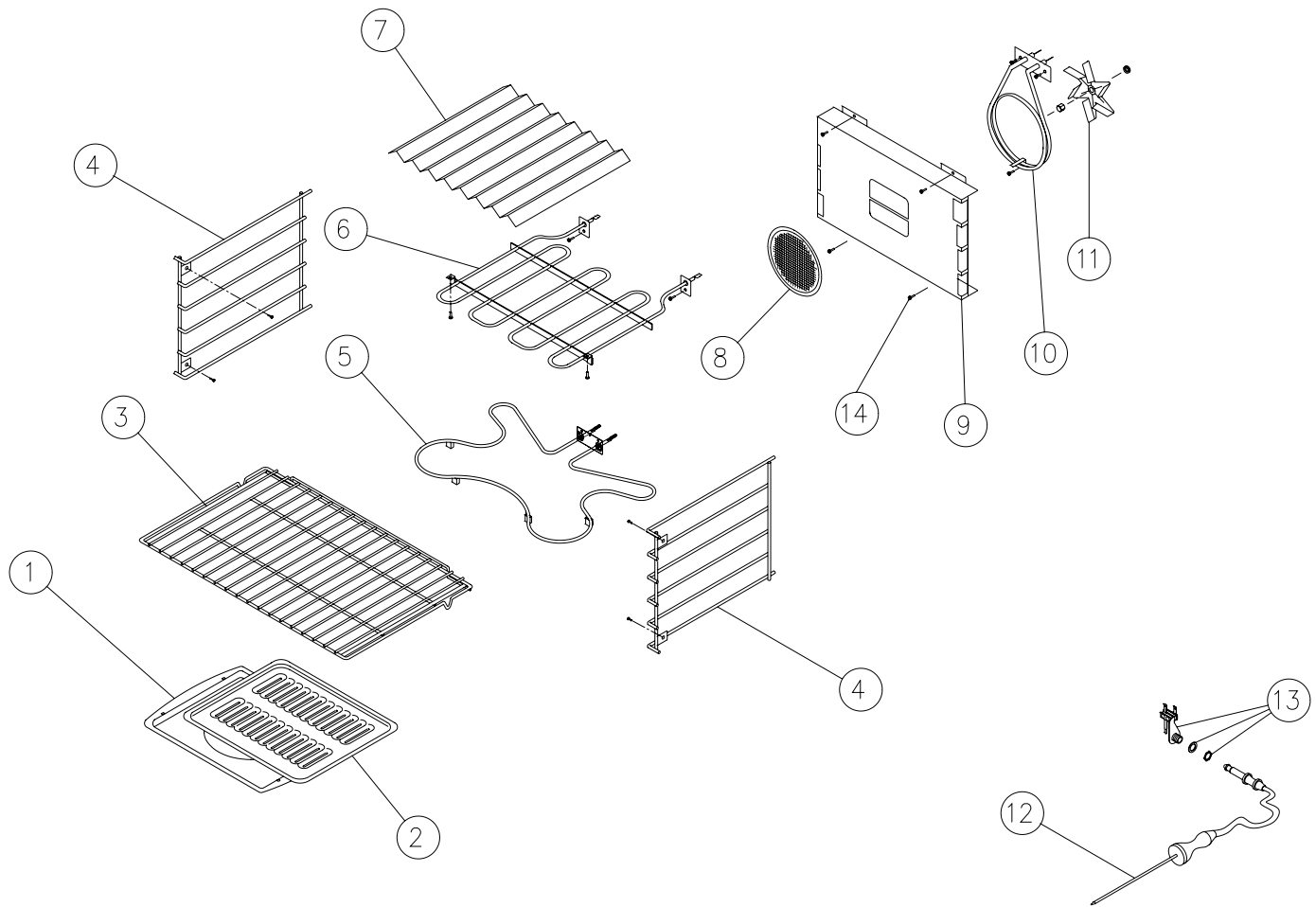
DACOR Technical Service

P.O. BOX 6530 DIAMOND BAR CA 91765

800-35-DACOR Fax # 909-612-1702

dacor[®]

ECS - INSIDE CELL ASSEMBLY



REF #	DESCRIPTION	ECS127	ECS227	ECD227	ECS130	ECS230	ECD230
1	BROIL PAN	82107	82107	82107	82107	82107	82107
2	BROIL COVER	82106	82106	82106	82106	82106	82106
3	CONVECTION RACK	62137	62137	62137	62139	62139	62139
4	SUPPORT RACK	82650	82650	82650	82650	82650	82650
5	BAKE ELEMENT	62636	62636	62636	62637	62637	62637
6	BROIL ELEMENT	62723	62723	62723	62723	62723	62723
7	BROIL REFLECTOR	36509	36509	36509	36509	36509	36509
8	FILTER CONVECTION	82891	82891	82891	82891	82891	82891
9	CONVECTION BAFFLE	36486BP	36486BP	36486BP	36487BP	36487BP	36487BP
10	CONVECTION ELEMENT	82377	82377	82377	82377	82377	82377
11	CONV FAN BLADE	82651	82651	82651	82651	82651	82651
12	MEAT PROBE	62713	62713	62713	62713	62713	62713
13	PROBE SOCKET	62714	62714	62714	62714	62714	62714
14	CELL SCREW	83534	83534	83534	83534	83534	83534
**	Glide Rack	72767	72767	72767	72915	72915	72915