

The Dacor logo is written in a bold, italicized, sans-serif font.

Family-Owned. American-Made.

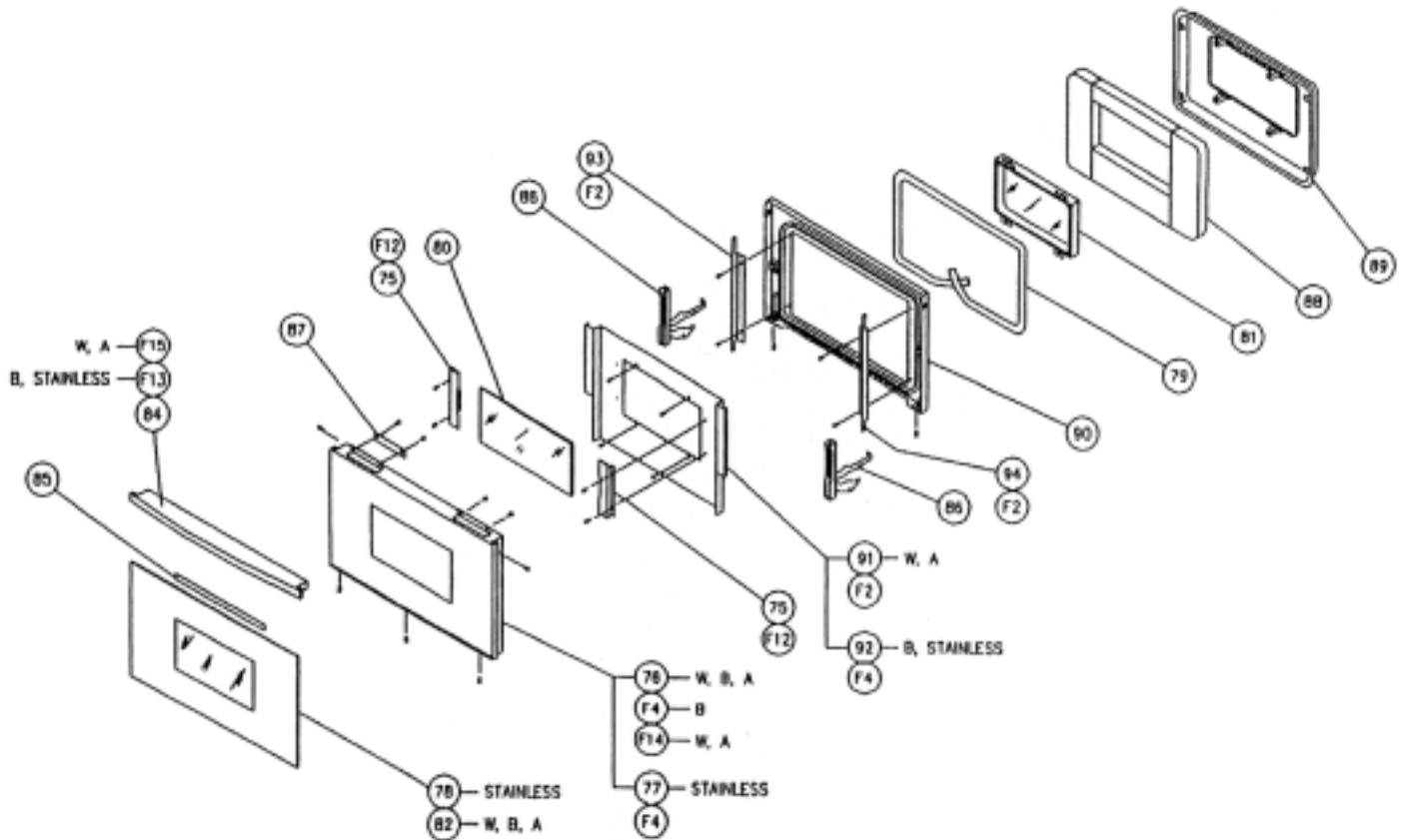
A photograph of a stainless steel Dacor wall oven with a cooktop, set in a kitchen. The words "PARTS CATALOG" are overlaid in large, semi-transparent, 3D-style letters across the center of the oven.

PARTS
CATALOG

CPS/CPD Wall Oven

Single Oven	Double Oven	Door Assembly
Non-Convection	Convection	Parts Key
	Wire Schematics	

CPS & CPD - DOOR COMPONENTS



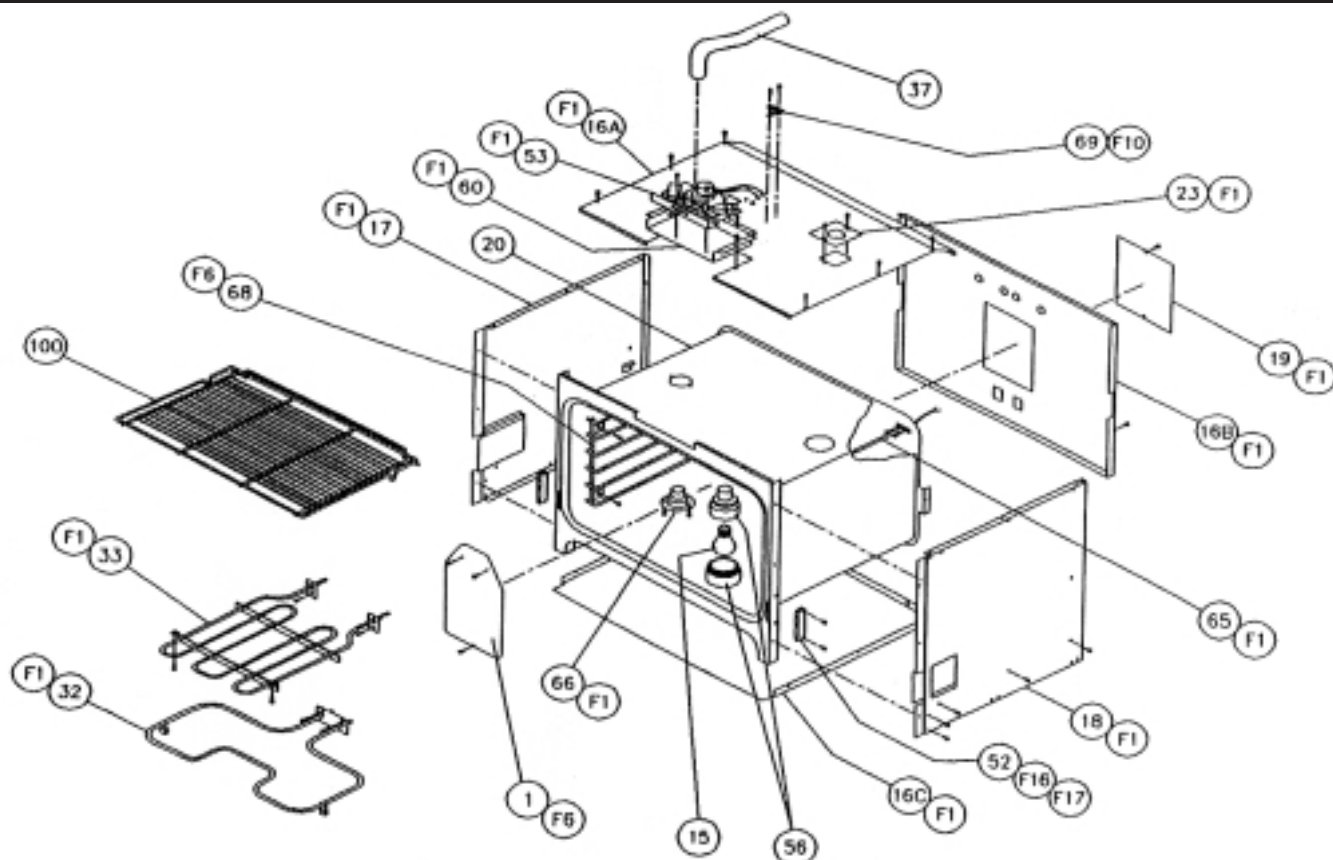
Ref.	Part Description	Part Numbers 27 Inch			Part Numbers 30 Inch		
		CPS 127	CPS 227	CPD 227	CPS 130	CPS 230	CPD 230
75	Bracket, Heat Barrier Glass**	26578B	26578B	26578B	26578B	26578B	26578B
76	Frame, Glass Mounting	27429 A,B,W,R	27429 A,B,W,R	27429 A,B,W,R	27486A,B,W,R	27486 A,B,W,R	27486 A,B,W,R
77	Frame, Glass Mounting	27458B	27458B	27458B	27487B	27487B	27487B
78	Front, Outer	86335	86335	86335	86360	86360	86360
79	Gasket, Door	82691	82691	82691	82124	82124	82124
80	Heat Barrier, Glass**	82692	82692	82692	82692	82692	82692
81	Glass, Inner Pack Assembly	82954	82954	82954	82954	82954	82954
82	Glass, Outer	82693 A,B,W,R	82693 A,B,W,R	82693 A,B,W,R	82216 A,B,W,R	82216 A,B,W,R	82216 A,B,W,R
84	Handle, Door	82696 A,B,W,R	82696 A,B,W,R	82696 A,B,W,R	82219 A,B,W,R	82219 A,B,W,R	82219 A,B,W,R
85	Tape, Double Sided	83224	83224	83224	83224	83224	83224
86	Hinge, Door	82883	82883	82883	82883	82883	82883
*	Hinge, Door (Stainless Front)	82508	82508	82508	82508	82508	82508
87	Instruction Plate	82698	82698	82698	82698	82698	82698
88	Insulation	13165	13165	13165	13167	13167	13167
89	Liner, Inner	27423BP	27423BP	27423BP	27459BP	27459BP	27459BP
90	Liner, Outer	86744	86744	86744	86746	86746	86746
91	Shield, Inner Door	26575	26575	26575	26574	26574	26574
92	Shield, Inner Door	26575B	26575B	26575B	26574B	26574B	26574B
93	Shield, Left	26577	26577	26577	26577	26577	26577
94	Shield, Right	26576	26576	26576	26576	26576	26576
	Screws and Fasteners	CPS 127	CPS 227	CPD 227	CPS 130	CPS230	CPD 230
F2	Screw #8X3/8 Truss	83024	83024	83024	83024	83024	83024
F4	Screw #8X3/8 Wafer	83263	83263	83263	83263	83263	83263
F12	Screw #10X1/2 Truss	83022	83022	83022	83022	83022	83022
F13	Screw 8/32X1/2 Pan	83336	83336	83336	83336	83336	83336
F14	Screw #8X3/8 Wafer	83571	83571	83571	83571	83571	83571
F15	Screw 8/32X1/2 Pan	83572	83572	83572	83572	83572	83572

DACOR Technical Service

P.O. Box 6530 Diamond Bar, CA 91765 800-793-0093 - Fax: 909-612-1702

dacor[®]

CPS & CPD - LOWER OVEN NON CONVECT

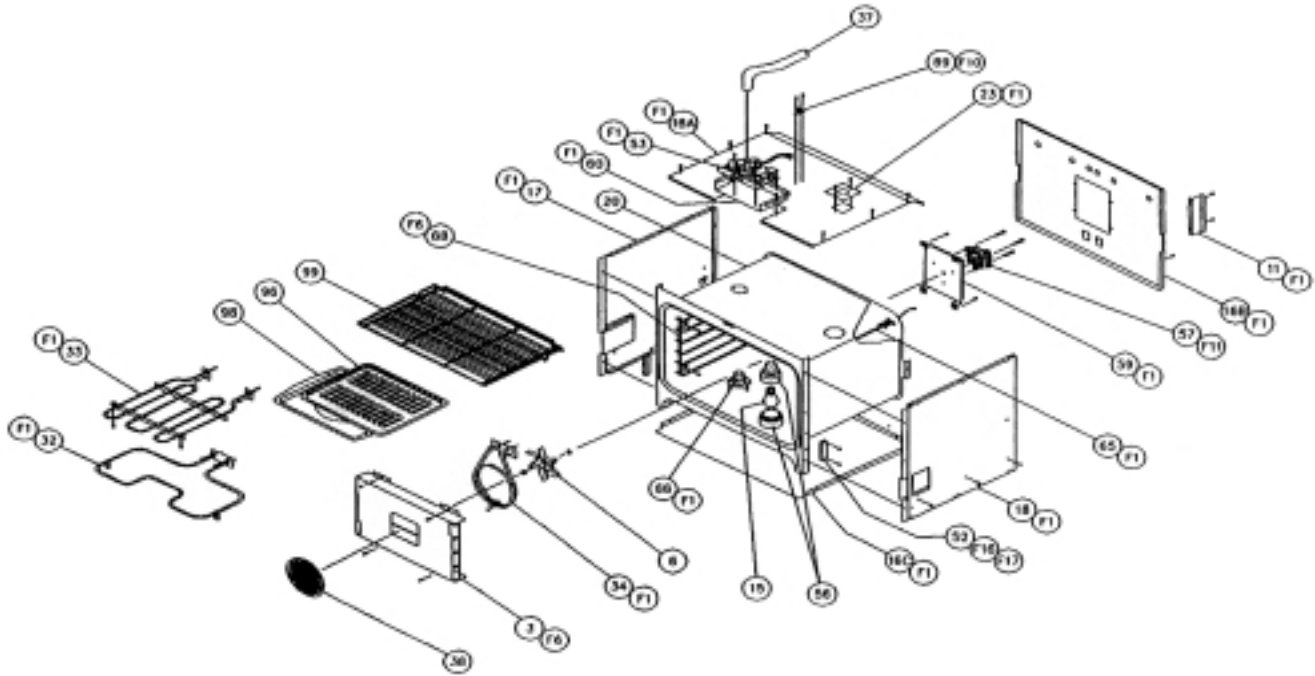


Ref.	Part Description	Part Numbers 27 Inch			Part Numbers 30 Inch		
		CPS 127	CPS 227	CPD 227	CPS 130	CPS 230	CPD 230
1	Cover, Convection Opening	NA	26545BP	NA	NA	26545BP	NA
15	Bulb, Light (40W)	82089	82089	82089	82089	82089	82089
16A	Case Top	26581	26581	26581	26629	26629	26629
16B	Case Back	26596	26596	26596	26632	26632	26632
16C	Case Bottom	26597	26597	26597	26633	26633	26633
17	Case, Side (Left)	27454	27454	27454	27454	27454	27454
18	Case, Side (Right)	27453	27453	27453	27453	27453	27453
19	Cover Plate	26547	26547	26547	NA	26547	NA
20	Cell, Oven	27450BP	27450BP	27450BP	27462BP	27462BP	27462BP
23	Cover Plate	26560	26560	26560	26560	26560	26560
32	Element, Bake	82989	82989	82989	86745	86745	86745
33	Element, Broil	82817	82817	82817	82817	82817	82817
37	Exhaust Tube	82695	82695	82695	82240	82240	82240
52	Hinge, Roller	82851	82851	82851	82851	82851	82851
53	Latch, Door	86166	86166	86166	86166	86166	86166
56	Socket Assy	86123	86123	86123	86123	86123	86123
60	Mounting Plate, Latch	26598	26598	26598	26598	26598	26598
65	Sensor, Oven Temperature	86663	86663	86663	86663	86663	86663
66	Smoke Eliminator	82826	82826	82826	82826	82826	82826
68	Support Rack	82650	82650	82650	82650	82650	82650
69	Thermal Cutout (Lower)	NA	82987	82987	82987	82987	82987
69	Thermal Cutout (Upper)	82987	82987	82987	82987	82987	82987
100	Rack, Non Convection	NA	82992	NA	NA	82231	NA
	Screws and Fasteners	CPS 127	CPS 227	CPD 227	CPS 130	CPS230	CPD 230
F1	Screw #10X3/8	83023	83023	83023	83023	83023	83023
F6	Screw #8X3/8 Enamel	83534	83534	83534	83534	83534	83534
F10	Screw #8X3/8	83019	83019	83019	83019	83019	83019
F16	Screw 5MX10MM Socket	83553	83553	83553	83553	83553	83553
F17	Washer #10 Tooth Lock	83340	83340	83340	83340	83340	83340

DACOR Technical Service

P.O. Box 6530 Diamond Bar, CA 91765 800-793-0093 - Fax: 909-612-1702

CPS & CPD - CONVECTION CAVITY



Ref.	Part Description	Part Numbers 27 Inch			Part Numbers 30 Inch		
		CPS 127	CPS 227	CPD 227	CPS 130	CPS 230	CPD 230
3	Baffle, Convection	26595BP	26595BP	26595BP	26655BP	26655BP	26655BP
6	Blade, Convection Fan	82651	82651	82651	82651	82651	82651
11	Bracket, Stiffener	26606	26606	26606	26606	26606	26606
15	Bulb, Light (40W)	82089	82089	82089	82089	82089	82089
16A	Case Top	26581	26581	26581	26629	26629	26629
16B	Case Back	26596	26596	26596	26632	26632	26632
16C	Case Bottom	26597	26597	26597	26633	26633	26633
17	Case, Side (Left)	27454	27454	27454	27454	27454	27454
18	Case, Side (Right)	27453	27453	27453	27453	27453	27453
20	Cell, Oven	27450BP	27450BP	27450BP	27462BP	27462BP	27462BP
23	Cover Plate	26560	26560	26560	26560	26560	26560
32	Element, Bake	82989	82989	82989	86745	86745	86745
33	Element, Broil	82817	82817	82817	82817	82817	82817
34	Element, Convection	82377	82377	82377	82377	82377	82377
37	Exhaust Tube	82695	82695	82695	82240	82240	82240
38	Filter, Convection	82891	82891	82891	82891	82891	82891
52	Hinge, Roller	82851	82851	82851	82851	82851	82851
53	Latch, Door	86166	86166	86166	86166	86166	86166
56	Socket Assy	86123	86123	86123	86123	86123	86123
57	Motor, Convection	82647	82647	82647	82647	82647	82647
59	Mounting Plate, Conv. Mtr.	27470	27470	27470	27470	27470	27470
60	Mounting Plate, Latch	26598	26598	26598	26598	26598	26598
65	Sensor, Oven Temperature	86663	86663	86663	86663	86663	86663
66	Smoke Eliminator	82826	82826	82826	82826	82826	82826
68	Support Rack	82650	82650	82650	82650	82650	82650
69	Thermal Cutout (Lower)	NA	82987	82987	82987	82987	82987
69	Thermal Cutout (Upper)	82987	82987	82987	82987	82987	82987
96	Cover, Broil	82106	82106	82106	82106	82106	82106
98	Pan, Broil	82107	82107	82107	82107	82107	82107
99	Rack, Convection	82246	82246	82246	82230	82230	82230
	Screws and Fasteners	CPS 127	CPS 227	CPD 227	CPS 130	CPS230	CPD 230
F1	Screw #10X3/8	83023	83023	83023	83023	83023	83023
F6	Screw #8X3/8 Enamel	83534	83534	83534	83534	83534	83534
F10	Screw #8X3/8	83019	83019	83019	83019	83019	83019
F11	Screw	83569	83569	83569	83569	83569	83569
F16	Screw 5MX10MM Socket	83553	83553	83553	83553	83553	83553
F17	Washer #10 Tooth Lock	83340	83340	83340	83340	83340	83340

DACOR Technical Service

P.O. Box 6530 Diamond Bar, CA 91765 800-793-0093 - Fax: 909-612-1702



CPS / CPD OVEN SERIES REPLACEMENT PARTS KEY

Ref.	Part Description	Part Numbers 27 Inch			Part Numbers 30 Inch		
		CPS 127	CPS 227	CPD 227	CPS 130	CPS 230	CPD 230
1	Cover, Convection Opening	NA	26545BP	NA	NA	26545BP	NA
2	Baffle, Air (Lower)	NA	26599	26599	NA	26634	26634
3	Baffle, Convection	26595BP	26595BP	26595BP	26655BP	26655BP	26655BP
4	Baffle, Rear (Lower)	NA	26608	26608	NA	26608	26608
5	Bezel, (Touchpad)	13158 A,B,R,W,S	13159 A,B,R,W,S	13160 A,B,R,W,S	13290 A,B,R,W,S	13291 A,B,R,W,S	13292 A,B,R,W,S
6	Blade, Convection Fan	82651	82651	82651	82651	82651	82651
7	Block, Terminal	82151	82151	82151	82151	82151	82151
8	Blower, Cooling	82986	82986	82986	82986	82986	82986
9	Bracket, Conduit Mounting	26584	26584	26584	26584	26584	26584
10	Bracket, Conduit Mounting	26584	26661	26661	26584	26661	26661
11	Bracket, Stiffener	26606	26606	26606	26606	26606	26606
12	Bracket, Oven Support	NA	26611	26611	NA	26611	26611
13	Brkt, Bezel Mounting (Left)	86676	86676	86676	86676	86676	86676
14	Brkt, Bezel Mounting (Right)	86675	86675	86675	86675	86675	86675
14A	Brkt, Terminal Block	NA	26605	26605	NA	26605	26605
14B	Block, Terminal	NA	83556	83556	NA	83556	83556
14C	Bushing, Plastic	NA	83056	83056	NA	83056	83056
15	Bulb, Light (40W)	82089	82089	82089	82089	82089	82089
16A	Case Top	26581	26581	26581	26629	26629	26629
16B	Case Back	26596	26596	26596	26632	26632	26632
16C	Case Bottom	26597	26597	26597	26633	26633	26633
17	Case, Side (Left)	27454	27454	27454	27454	27454	27454
18	Case, Side (Right)	27453	27453	27453	27453	27453	27453
19	Cover Plate	26547	26547	26547	NA	26547	NA
20	Cell, Oven	27450BP	27450BP	27450BP	27462BP	27462BP	27462BP
21	Conduit,CSA	26420	26430	26430	26420	26430	26430
22	Conduit,UL	26420	26430	26430	26420	26430	26430
23	Cover Plate	26560	26560	26560	26560	26560	26560
24	Cover, Back	27471	27472	27472	27476	27477	27477
25	Cover, Exhaust Duct	26580	26612	26612	26658	26659	26659
26	Cover, Top Front	26601	26601	26601	26636	26636	26636
27	Cover, Top Rear	26600	26600	26600	26635	26635	26635

CPS / CPD OVEN SERIES REPLACEMENT PARTS KEY

		CPS127	CPS227	CPD227	CPS130	CPS230	CPD230
28	Duct, Transition	27455	27455	27455	27455	27455	27455
29	E. R. C.	62692	62681	62681	62692	62681	62681
30	Elbow, Conduit	82196	82196	82196	82196	82196	82196
31	Elbow, Conduit	82195	82195	82195	82195	82195	82195
32	Element, Bake	82989	82989	82989	86745	86745	86745
33	Element, Broil	82817	82817	82817	82817	82817	82817
34	Element, Convection	82377	82377	82377	82377	82377	82377
35	Exhaust Duct	27427	27456	27456	26656	26657	26657
36	Exhaust Duct Divider	27428	27457	27457	27428	27457	27457
37	Exhaust Tube	82695	82695	82695	82240	82240	82240
38	Filter, Convection	82891	82891	82891	82891	82891	82891
39	Fuse Box Assembly	12400	12401	12401	12401	12401	12401
40	Fuse Holder 15 Amp	86674	86674	86674	86674	86674	86674
41	Fuse Holder, 30 Amp	82506	82506	82506	82506	82506	82506
42	Fuse, 15 Amp	83110	83110	83110	83110	83110	83110
43	Fuse, 30 Amp	83112	83112	83112	83112	83112	83112
44	Grille, Air Intake	26609B	26609B	26609B	26638B	26638B	26638B
45	Grille, Exhaust	82990 A,B,W,R	82990 A,B,W,R	82990 A,B,W,R	82229 A,B,W,R	82229 A,B,W,R	82229 A,B,W,R
46	Harness, ERC to Relay	82445	82445	82445	82445	82445	82445
47	Harness, ERC to Relay	NA	82446	82446	NA	82446	82446
48	Harness, Oven Light (Lower)	NA	82816	82816	NA	82816	82816
49	Harness, Oven Light (Upper)	82815	82815	82815	82815	82815	82815
50	Harness, Sensor/Lock (Lower)	NA	82449	82449	NA	82449	82449
51	Harness, Sensor/Lock (Upper)	82447	82448	82448	82447	82448	82448
52	Hinge, Roller	82851	82851	82851	82851	82851	82851
53	Latch, Door	86166	86166	86166	86166	86166	86166
54	Lead Wire Kit	86672	86670	86670	86672	86670	86670
55	Lead Wire Kit	86673	86671	86671	86673	86671	86671
56	Socket Assy	86123	86123	86123	86123	86123	86123
	* Lens Cover	82852	82852	82852	82852	82852	82852
57	Motor, Convection	82647	82647	82647	82647	82647	82647
58	Mounting Brkt Lower Fan	NA	26607	26607	NA	27475	27475
59	Mounting Plate, Conv. Mtr.	27470	27470	27470	27470	27470	27470
60	Mounting Plate, Latch	26598	26598	26598	26598	26598	26598
61	Plate, Bottom Exhaust	26602	26602	26602	26637	26637	26637
62	Plate, Relay Mounting	26604	26604	26604	26604	26604	26604
63	Relay Board (Lower)	NA	82985	82994	NA	82985	82994
64	Relay Board (Main)	82127	62439	62439	82127	62439	62439

CPS / CPD OVEN SERIES REPLACEMENT PARTS KEY

		CPS127	CPS227	CPD227	CPS130	CPS230	CPD230
65	Sensor, Oven Temperature	86663	86663	86663	86663	86663	86663
66	Smoke Eliminator	82826	82826	82826	82826	82826	82826
67	Sub Chassis	27452	27452	27452	27463	27463	27463
68	Support Rack	82650	82650	82650	82650	82650	82650
69	Thermal Cutout (Lower)	NA	82987	82987	82987	82987	82987
69	Thermal Cutout (Upper)	82987	82987	82987	82987	82987	82987
70	Trim, Left	27467 A,B,W,R	27469 A,B,W,R	27469 A,B,W,R	27467 A,B,W,R	27469 A,B,W,R	27469 A,B,W,R
71	Trim, Right	27466 A,B,W,R	27468 A,B,W,R	27468 A,B,W,R	27466 A,B,W,R	27468 A,B,W,R	27468A,B,W,R
72	Trim, Control Bezel	26613B	26613B	26613B	26639B	26639B	26639B
75	Bracket, Heat Barrier Glass**	26578B	26578B	26578B	26578B	26578B	26578B
76	Frame, Glass Mounting	27429 A,B,W,R	27429 A,B,W,R	27429 A,B,W,R	27486A,B,W,R	27486 A,B,W,R	27486 A,B,W,R
77	Frame, Glass Mounting	27458B	27458B	27458B	27487B	27487B	27487B
78	Front, Outer	86335	86335	86335	86360	86360	86360
79	Gasket, Door	62811	62811	62811	62812	62812	62812
80	Heat Barrier, Glass**	82692	82692	82692	82692	82692	82692
81	Glass, Inner Pack Assembly	82954	82954	82954	82954	82954	82954
82	Glass, Outer	82693 A,B,W,R	82693 A,B,W,R	82693 A,B,W,R	82216 A,B,W,R	82216 A,B,W,R	82216 A,B,W,R
*	Glass, Outer w/Stainless	86335	86335	86335	86360	86360	86360
84	Handle, Door	82696 A,B,W,R	82696 A,B,W,R	82696 A,B,W,R	82219 A,B,W,R	82219 A,B,W,R	82219 A,B,W,R
85	Tape, Double Sided	83224	83224	83224	83224	83224	83224
86	Hinge, Door	82883	82883	82883	82883	82883	82883
*	Hinge, Door (Stainless Front)	82508	82508	82508	82508	82508	82508
87	Instruction Plate	82698	82698	82698	82698	82698	82698
88	Insulation	13165	13165	13165	13167	13167	13167
89	Liner, Inner	27423BP	27423BP	27423BP	27459BP	27459BP	27459BP
90	Liner, Outer	86744	86744	86744	86746	86746	86746
91	Shield, Inner Door	26575	26575	26575	26574	26574	26574
92	Shield, Inner Door	26575B	26575B	26575B	26574B	26574B	26574B
93	Shield, Left	26577	26577	26577	26577	26577	26577
94	Shield, Right	26576	26576	26576	26576	26576	26576
95	Care and Use	85616	85616	85616	85616	85616	85616
96	Cover, Broil	82106	82106	82106	82106	82106	82106
97	Installation Instructions	85617	85617	85617	85617	85617	85617
98	Pan, Broil	82107	82107	82107	82107	82107	82107
99	Rack, Convection	82246	82246	82246	82230	82230	82230
100	Rack, Non Convection	NA	82992	NA	NA	82231	NA
101	Video	85605	85605	85605	85605	85605	85605
**	no longer used - use glass pack	82954	82954	82954	82954	82954	82954

CPS / CPD OVEN SERIES REPLACEMENT PARTS KEY

	Screws and Fasteners	CPS 127	CPS 227	CPD 227	CPS 130	CPS230	CPD 230
F1	Screw #10X3/8	83023	83023	83023	83023	83023	83023
F2	Screw #8X3/8 Truss	83024	83024	83024	83024	83024	83024
F3	Screw #10X3/4	83026	83026	83026	83026	83026	83026
F4	Screw #8X3/8 Wafer	83263	83263	83263	83263	83263	83263
F5	Screw #6X3/8 Truss	83570	83570	83570	83570	83570	83570
F6	Screw #8X3/8 Enamel	83534	83534	83534	83534	83534	83534
F7	Washer, Fiber	83555	83555	83555	83555	83555	83555
F8	Screw #8X3/4 Pan	83010	83010	83010	83010	83010	83010
F9	Screw #8X3/8 Enamel	83534	83534	83534	83534	83534	83534
F10	Screw #8X3/8	83019	83019	83019	83019	83019	83019
F11	Screw	83569	83569	83569	83569	83569	83569
F12	Screw #10X1/2 Truss	83022	83022	83022	83022	83022	83022
F13	Screw 8/32X1/2 Pan	83336	83336	83336	83336	83336	83336
F14	Screw #8X3/8 Wafer	83571	83571	83571	83571	83571	83571
F15	Screw 8/32X1/2 Pan	83572	83572	83572	83572	83572	83572
F16	Screw 5MX10MM Socket	83553	83553	83553	83553	83553	83553
F17	Washer #10 Tooth Lock	83340	83340	83340	83340	83340	83340
F18	Screw #8X5/8 Pan	NA	83042	83042	NA	83042	83042
F19	Nylon Standoff	83538	83538	83538	83538	83538	83538

OVEN MODEL NUMBER	ELECTRICAL CIRCUIT REQUIRED	TOTAL CONNECTED LOAD
CPS127, CPS130	120/240VAC, 60Hz, 30A	5.8kW (23A)

