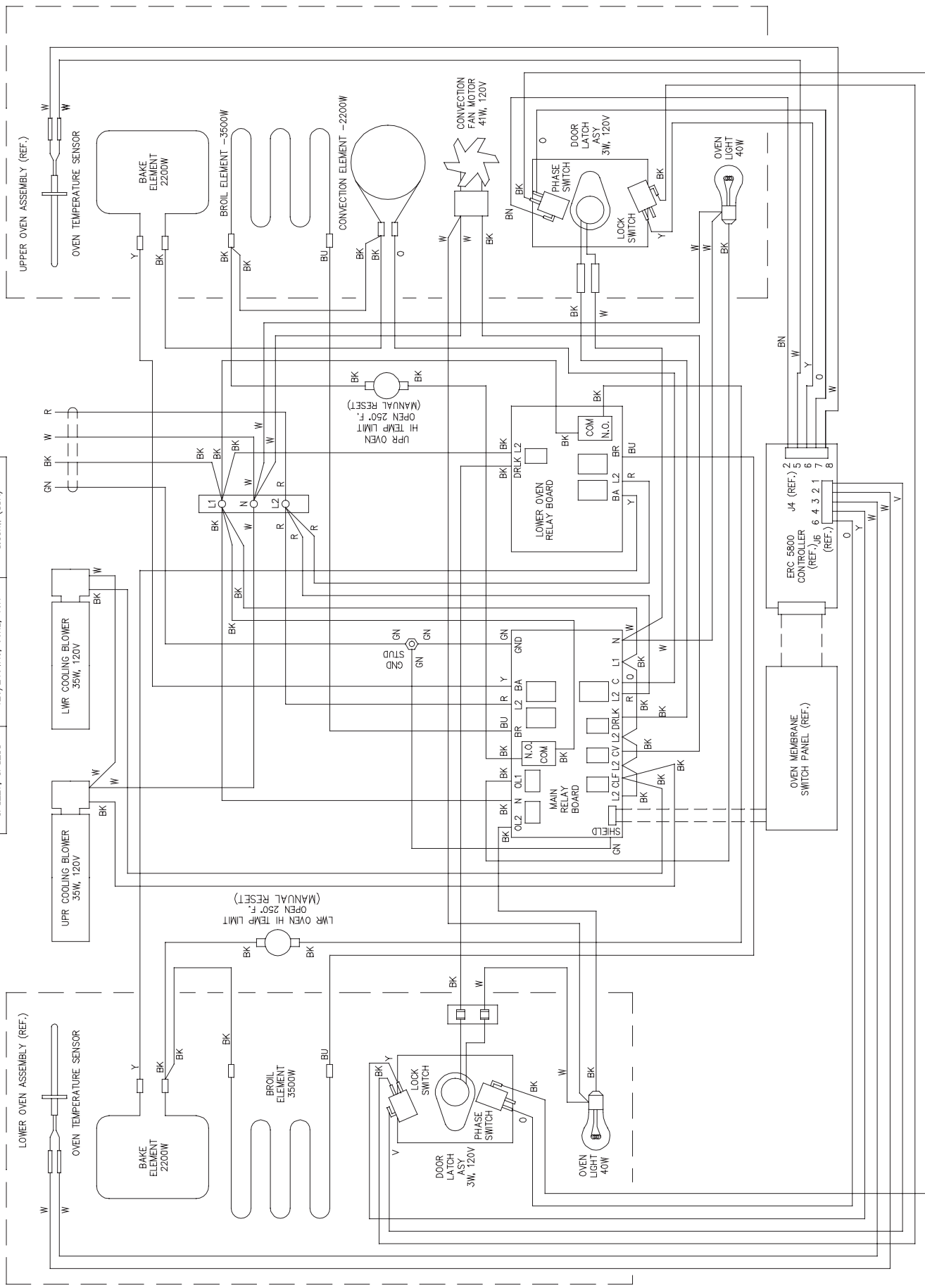


CPS SINGLE CONVECTION

OVEN MODEL NUMBER	ELECTRICAL CIRCUIT REQUIRED	TOTAL CONNECTED LOAD
CPS227, CPS230	120/240VAC, 60Hz, 40A	8.09kW (33A)



LOWER OVEN ASSEMBLY (REF.)

UPPER OVEN ASSEMBLY (REF.)

BAKE ELEMENT 2200W

BAKE ELEMENT 2200W

BROIL ELEMENT 3500W

BROIL ELEMENT -3500W

CONVECTION ELEMENT 2200W

CONVECTION ELEMENT -2200W

UPPER OVEN HI TEMP LIMIT (MANUAL RESET)

UPPER OVEN HI TEMP LIMIT (MANUAL RESET)

LOWER OVEN HI TEMP LIMIT (MANUAL RESET)

LOWER OVEN HI TEMP LIMIT (MANUAL RESET)

DOOR LATCH ASY 3W, 120V

DOOR LATCH ASY 3W, 120V

PHASE SWITCH

PHASE SWITCH

LOCK SWITCH

LOCK SWITCH

OVEN LIGHT 40W

OVEN LIGHT 40W

CONVECTION FAN MOTOR 41W, 120V

CONVECTION FAN MOTOR 41W, 120V

UPPER COOLING BLOWER 35W, 120V

UPPER COOLING BLOWER 35W, 120V

LOWER COOLING BLOWER 35W, 120V

LOWER COOLING BLOWER 35W, 120V

OVEN MEMBRANE SWITCH PANEL (REF.)

OVEN MEMBRANE SWITCH PANEL (REF.)

ERC-5800 CONTROLLER (REF.)

ERC-5800 CONTROLLER (REF.)

MAIN RELAY BOARD

MAIN RELAY BOARD

LOWER OVEN RELAY BOARD

LOWER OVEN RELAY BOARD